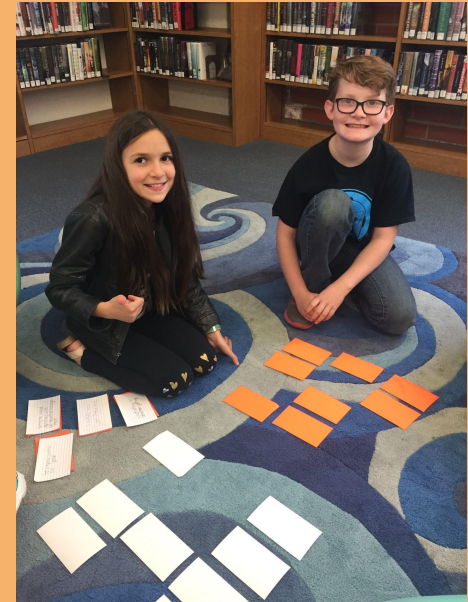


W
E
L
C
O
M
E





Learning Hands
on!
Ages 5 -13
Tutoring and Small
Groups

Philosophy

Compassionate
Communication

Learning
through the
Hands and
Heart

Small Academic
Classes with
Credentialed
Teachers

Lessons Aligned
with Common
Core

Creative
Collaborative
Critical
Thinkers



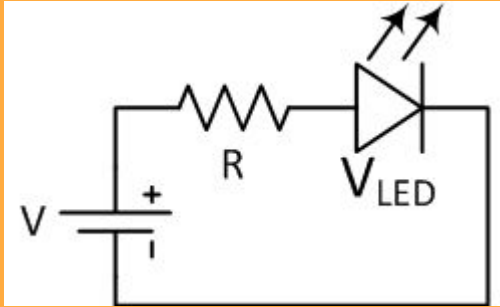
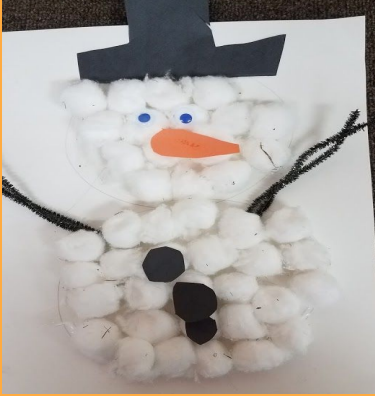
Golden's Art Lab

Fall Folk Tales and Foreign Lands (K-3)

Focusing on: Character
Choices, Plot, Vocabulary,
Mini & Main Lesson Books
Creation of 3D Theater Boxes
Tall Tale, and Opinion Writing



Golden's Afternoon Math & Wednesday STEAM



Making
Measuring
Mixing
Mind Mapping
Masterpieces

Writer's Workshop





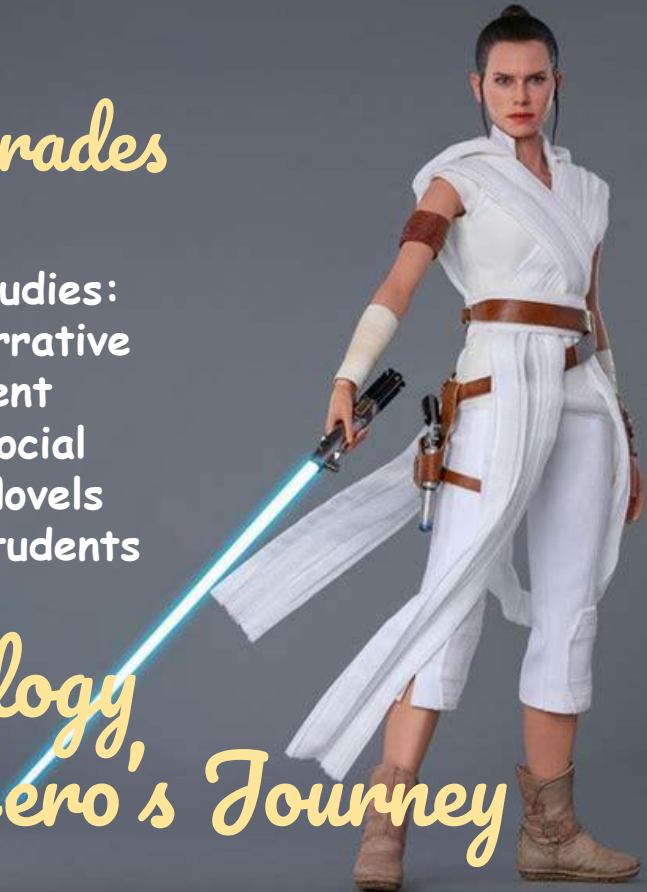
For more step by step drawing tutorials visit us at www.drawingtutorials101.com

Upper Grades

Integrated Studies:
Essay and Narrative
Writing, Ancient
Civilizations Social
Studies and Novels
Chosen by Students

Mythology and the Hero's Journey

12 Stages of a Hero. What is Your Story?



REY'S LIGHTSABER: © 2015 LUCASFILM LTD. ALL RIGHTS RESERVED. PRODUCT IMAGE MAY VARY SLIGHTLY FROM ACTUAL PRODUCT. FINAL PRODUCT MAY BE SLIGHTLY DIFFERENT.

Zoom Writing Classes 25 minutes of
private tutoring and 1 hr a week group

Zoom Book Clubs Available for 3rd Grades
on Up!

Private or Semi private TUTORING
GRADES K - 8 available

Fall Class Schedule - Starts Friday August 27th

Tuesday 9:30-1:30 Stay and Play 1:30-2:30	Wednesday 9:30-1:30 Stay and Play 1:30-2:30	Thursday 9:30-1:30 Stay and Play 1:30-2:30	Friday 9:30-1:30 Stay and Play 1:30-2:30
Constellations B Day 1 plus other golden students All students Reading, Writing and Integrated Science and Social Studies plus Hands on Math	Art Lab Grades K-1 2-3 4-6 STEAM K-1 2-3 Math Mysteries 4-6th	Constellations A and B Day 2 (extension activities) All students Reading, Writing and integrated Science and Social Studies plus projects	Constellation A Day 1 plus other golden students All students Reading, Writing and integrated Science and Social Studies plus Hands on Math
Teachers: Genevieve, Alyssa, Nicole and if needed one more	Teachers: Art Jenn, Genevieve, Alyssa Guest Artists	Teachers: Genevieve, Alyssa, Nicole and if needed one more	Teachers: Genevieve, Alyssa, Nicole and if needed one more

Class Days

K - 3rd Grade

1 Academic Day Per Week

Tuesday or Friday

2 Days Per Week - Constellation Program

Tuesday & Thursday -OR-

Thursday & Friday

Enrichment Wednesday

STEAM (Half Day) -OR-

Art Lab (Half Day) -OR-

STEAM and Art (Full Day)

4th - 7th Grade

1 Academic Day Per Week

Tuesday or Friday

2 Days Per Week - Constellation Program

Tuesday & Thursday -OR-

Thursday & Friday

Enrichment Wednesday (4th - 6th Grade)

Art Lab (Half Day) -OR-

Mysterious Math Mysteries (may be able to take STEAM instead if in 4th)

Art Lab and Mysterious Math

Mysteries (Full Day)

Fall Trimester Registration

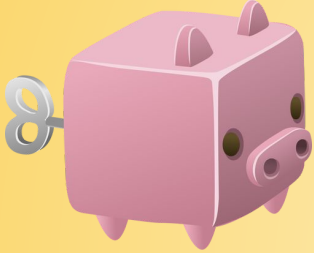
To hold your child's spot, a deposit of \$150 per child is due by June 15th plus the completion of the days you are requesting.

Payments can be made by bank transfer or credit card via paypal. Our paypal me link is:
[paypal.me/GoldenStarEdSrv](https://www.paypal.me/GoldenStarEdSrv)

Other payment arrangements can be made by emailing: msalyssau@gmail.com
Tuition balance for Fall classes will be due by August 1st.

Pre-registration to hold your child's spot can be done by completing this form link
<https://na3.docusign.net/Member/PowerFormSigning.aspx?PowerFormId=fe147f3b-efc1-487c-aa01-4fdda72e80e3&env=na3&acct=56e479a5-aa87-459a-8f54-c56858dc1e14&v=2>

Cost for Fall Trimester



August 27th - December 17th

\$65 Per Day (tuition + registration is prepaid)

\$80 Daily drop in rate

\$35 Half Day option on Wednesday (if room allows) (tuition and registration is prepaid)

\$5 Stay and Play 1:30-2:30 pm per day (package is prepaid for each trimester)

